

Decision Tree Data and Examples

MSE 2400

Dr. Tom Way

Data for: How long will the commute take?

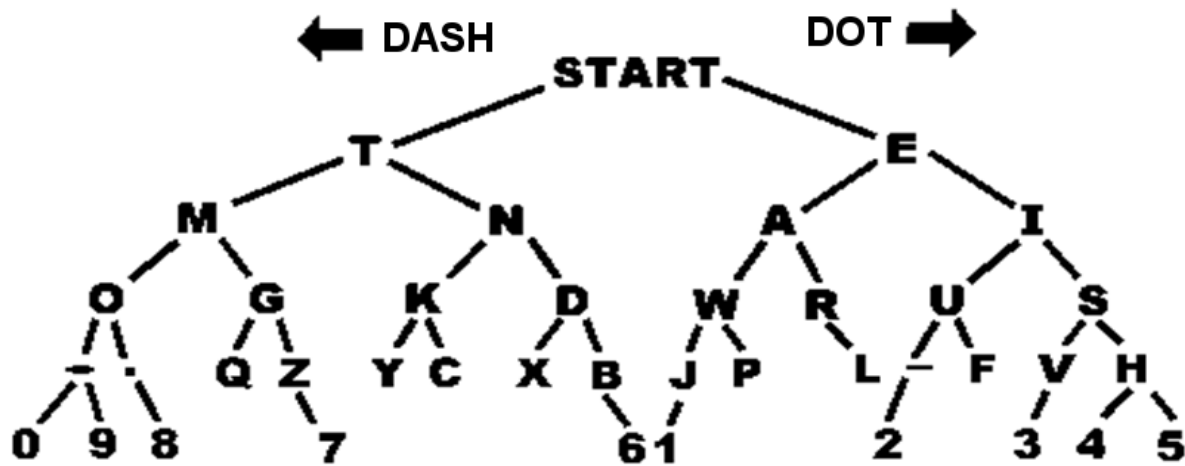
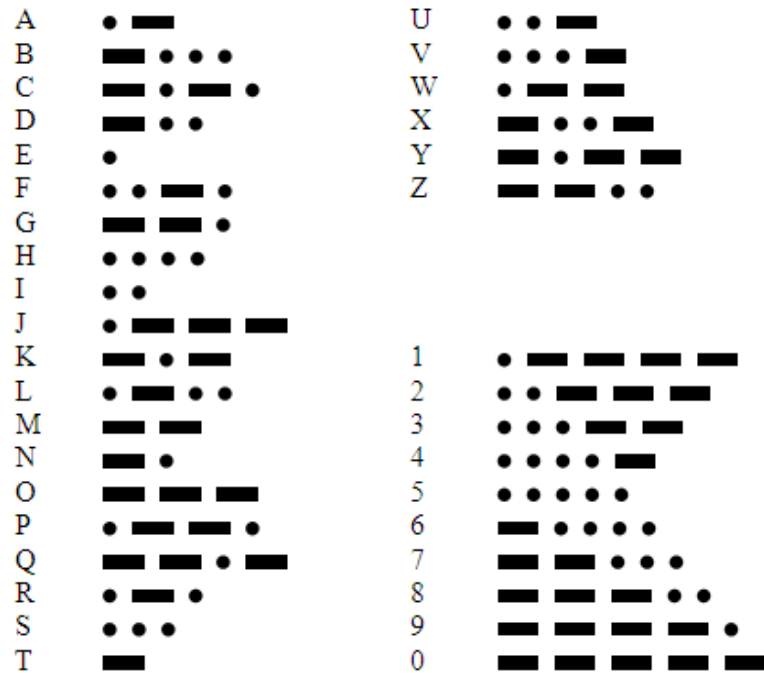
Example	Attributes				Target
	Hour	Weather	Accident	Stall	
D1	8 AM	Sunny	No	No	Long
D2	8 AM	Cloudy	No	Yes	Long
D3	10 AM	Sunny	No	No	Short
D4	9 AM	Rainy	Yes	No	Long
D5	9 AM	Sunny	Yes	Yes	Long
D6	10 AM	Sunny	No	No	Short
D7	10 AM	Cloudy	No	No	Short
D8	9 AM	Rainy	No	No	Medium
D9	9 AM	Sunny	Yes	No	Long
D10	10 AM	Cloudy	Yes	Yes	Long
D11	10 AM	Rainy	No	No	Short
D12	8 AM	Cloudy	Yes	No	Long
D13	9 AM	Sunny	No	No	Medium

Data for: What is the best way to design Morse Code?

Letter	Frequency
E	0.127
T	0.097
I	0.075
A	0.073
O	0.068
N	0.067
S	0.067
R	0.064
H	0.049
C	0.045
L	0.040
D	0.031
P	0.030
Y	0.027
U	0.024
M	0.024
F	0.021
B	0.017
G	0.016
W	0.013
V	0.008
K	0.008
X	0.005
Q	0.002
Z	0.001
J	0.001

International Morse Code

1. A dash is equal to three dots.
2. The space between parts of the same letter is equal to one dot.
3. The space between two letters is equal to three dots.
4. The space between two words is equal to seven dots.



Data for: Should we play Tennis?

ID code	Outlook	Temperature	Humidity	Windy	Play
a	Sunny	Hot	High	False	No
b	Sunny	Hot	High	True	No
c	Overcast	Hot	High	False	Yes
d	Rainy	Mild	High	False	Yes
e	Rainy	Cool	Normal	False	Yes
f	Rainy	Cool	Normal	True	No
g	Overcast	Cool	Normal	True	Yes
h	Sunny	Mild	High	False	No
i	Sunny	Cool	Normal	False	Yes
j	Rainy	Mild	Normal	False	Yes
k	Sunny	Mild	Normal	True	Yes
l	Overcast	Mild	High	True	Yes
m	Overcast	Hot	Normal	False	Yes
n	Rainy	Mild	High	True	No

